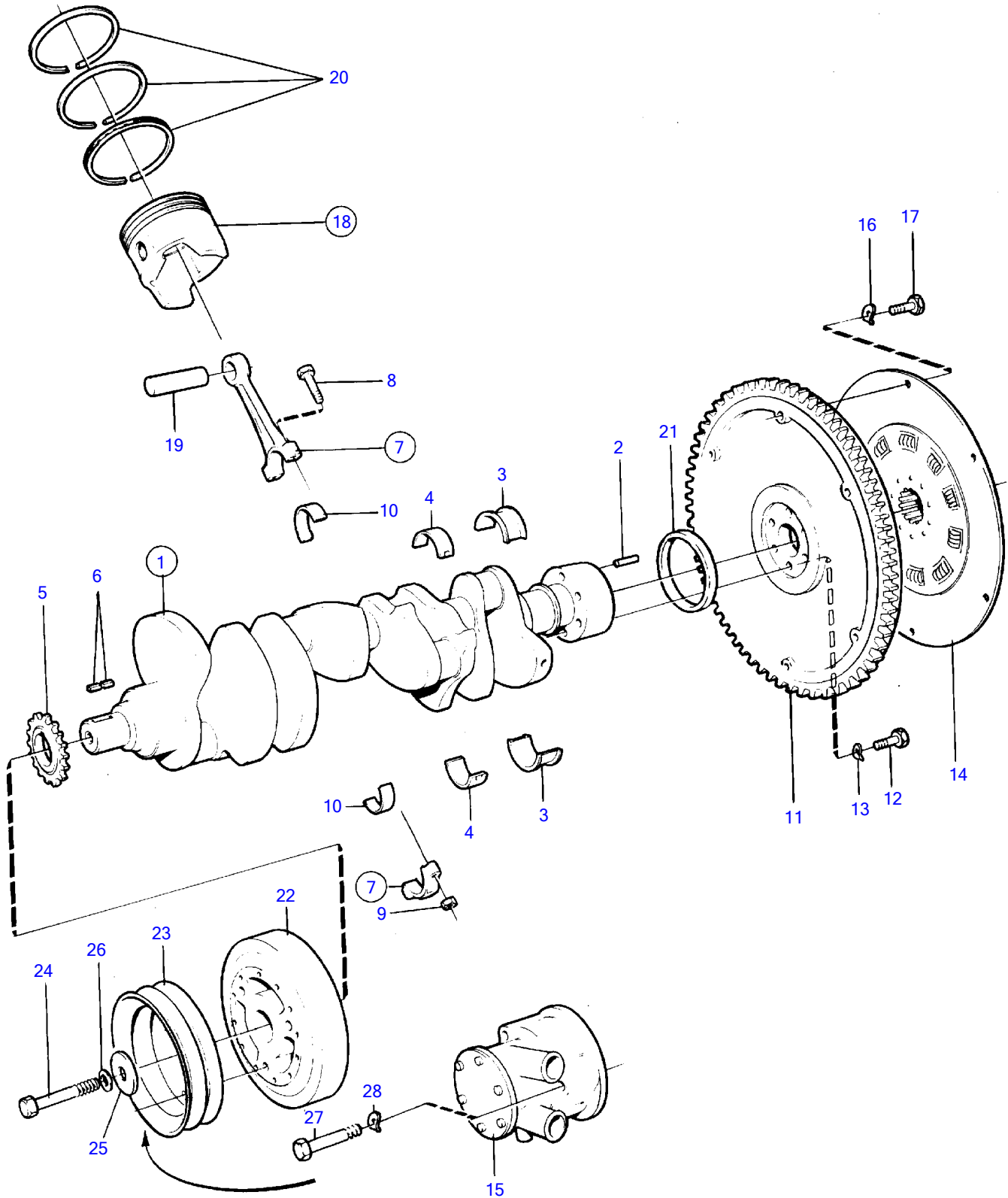


740B



740B

REF	PART NO.	QTY	DESCRIPTION	SEE SEC.	NOTES
1	857199	1	Crankshaft		
2	835057	1	• Pin		
3	857234	1	Main bearing		Incl.in cylinderblock., Std
4	857233	4	Main bearing		Incl.in cylinderblock., Std
5		1	sprocket	12460	
6	857220	2	Key		
7	856586	8	Connecting rod		
8	856587	16	• Screw		
9	835473	16	• Nut		
10	857201	8	Bearing		Std
11	857200	1	Flywheel		
12	835439	6	Screw		
13	941909	6	Spring washer		
14	854185	1	Vibration damper		
15		1	sea water pump		See group 2B
16	942336	3	Spring washer		
17	835482	3	Screw		
18	857224	8	Piston		Incl.in cylinderblock., Std
	857226	8	Piston		Over size 0,030"
19		8	• gudgeon pin		
20	876575	8	Piston ring kit		Incl.in cylinderblock., Std
	876576	8	Piston ring kit		Over size 0,030"
21	857232	1	Crankshaft seal		
22	857202	1	Vibration damper		
23	856304	1	Pulley		
24	857216	1	Screw		
25	856584	1	Washer		
26	856583	1	Lock washer		
27	976644	3	Hex. socket screw		See group 2B
28	942336	3	Spring washer		See group 2B

7736260-21-12453

9945

Upd:2014-10-28